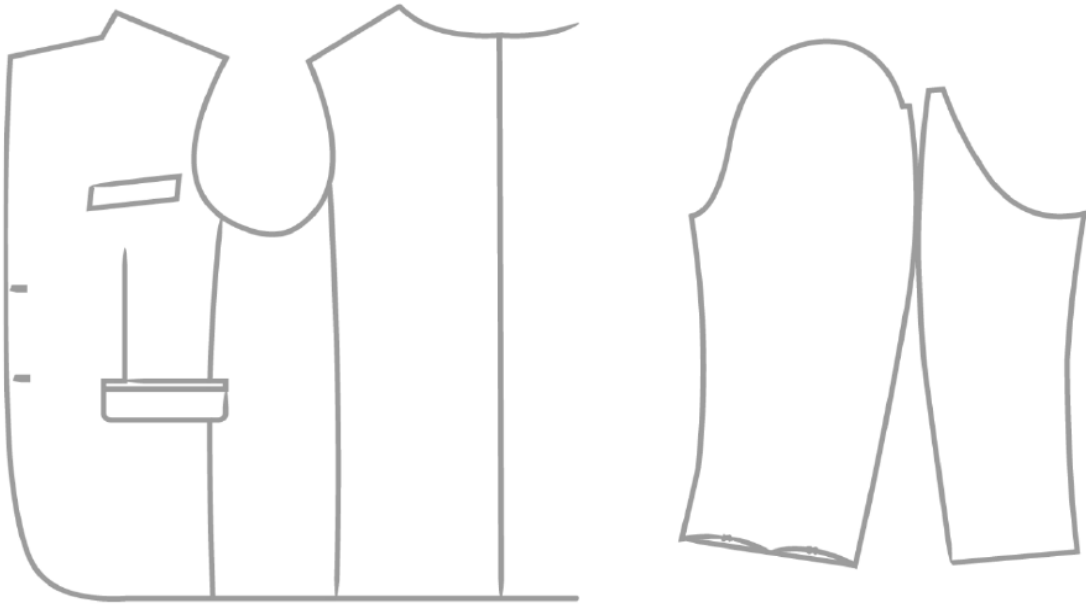


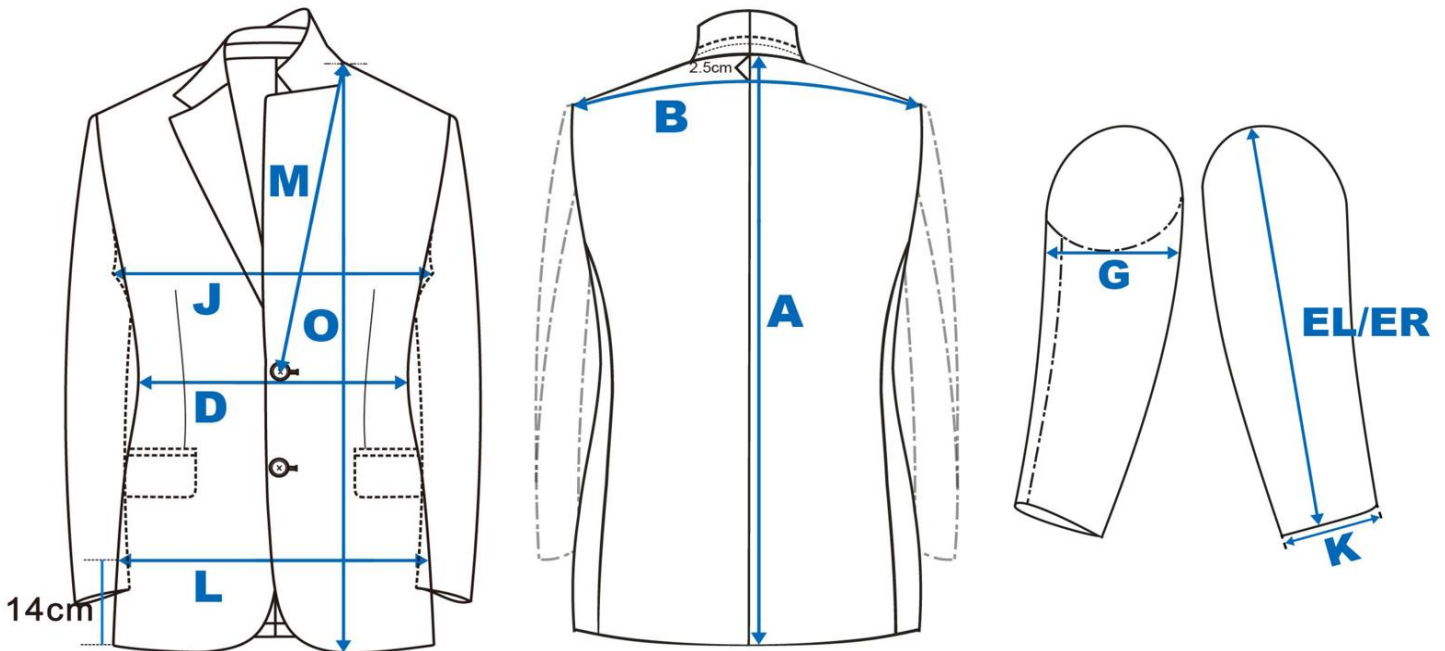
Garment Measurements

Slim Fit | Centimeters



JACKET | SLIM FIT | REGULAR LENGTH

Size Euro / Inch	A Back Length	O Front Length	B Shoulder Width	J 1/2 Chest	D 1/2 Waist	L 1/2 Seat	E Sleeve Outside*	G 1/2 Upperarm	K 1/2 Cuff	M Top Button *
42 / 34R	72.0	73.7	41.4	49.7	42.0	47.4	60.6	18.7	13.8	42.3
44 / 35R	73.0	74.7	42.4	51.7	44.0	49.4	61.5	19.2	14.0	43.0
46 / 37R	74.0	75.7	43.5	53.7	46.0	51.4	62.3	19.7	14.2	43.7
48 / 38R	75.0	76.7	44.5	55.7	48.0	53.4	63.2	20.1	14.4	44.4
50 / 40R	76.0	77.7	45.6	57.7	50.0	55.4	64.0	20.6	14.6	45.1
52 / 42R	77.0	78.7	46.7	59.7	52.0	57.4	64.9	21.0	14.8	45.8
54 / 43R	78.0	79.7	47.7	61.7	54.0	59.4	65.7	21.5	15.0	46.5
56 / 44R	79.0	80.7	48.8	63.7	56.0	61.4	66.6	21.9	15.2	47.2
58 / 46R	80.0	81.7	49.8	65.7	58.0	63.4	67.4	22.4	15.4	47.9
60 / 48R	81.0	82.7	50.9	67.7	60.0	65.4	68.3	22.8	15.6	48.6
62 / 50R	81.5	83.2	52.0	69.7	62.0	67.4	68.6	23.3	15.8	49.3
64 / 51R	82.0	83.7	53.0	71.7	64.0	69.4	69.0	23.7	16.0	50.0
66 / 52R	82.5	84.2	54.1	73.7	66.0	71.4	69.3	24.2	16.2	50.7
68 / 54R	83.0	84.7	55.1	75.7	68.0	73.4	69.6	24.6	16.4	51.4
70 / 55R	83.5	85.2	56.2	77.7	70.0	75.4	70.0	25.1	16.6	52.1



*** Sleeve Length Outside Adjustment Considerations**

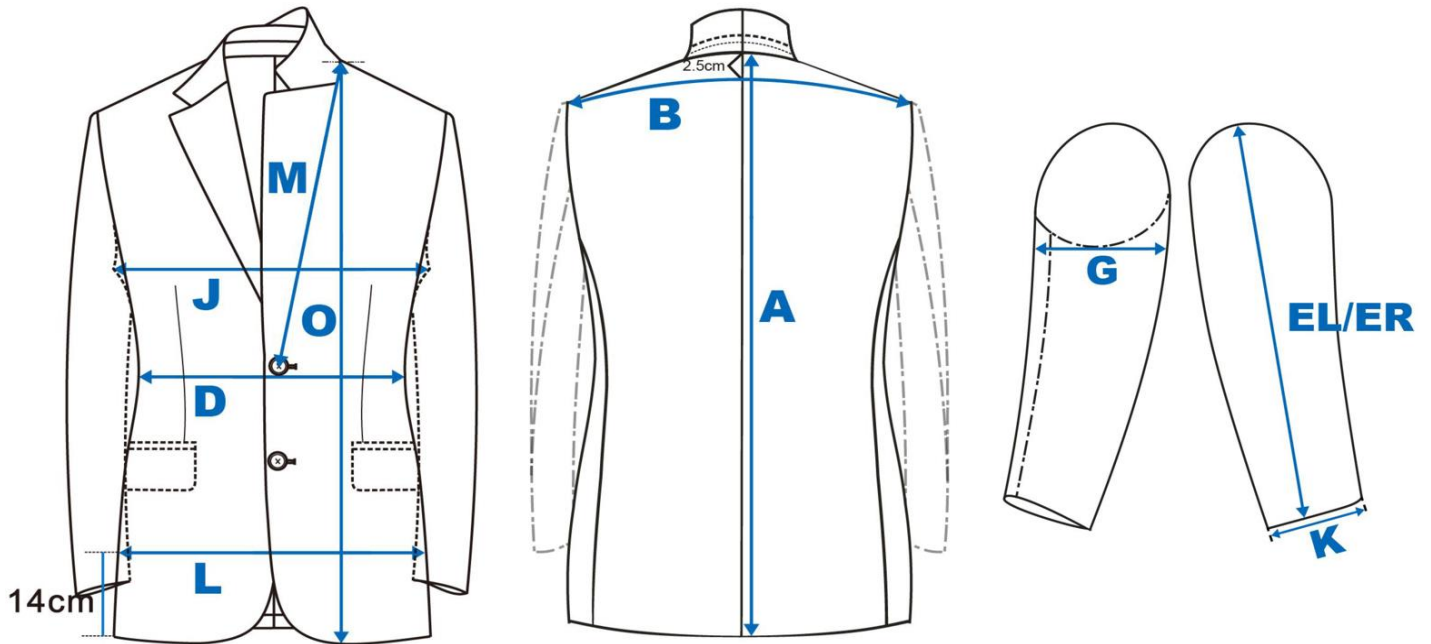
Soft shoulder -3mm
Roped shoulder +3mm
Unconstructed shoulder -3mm
Pleated shoulder +3mm

*** Top Button Position Adjustment Considerations**

Coat Length Adj. = 50% Effect
1 Button SHAWL: + 2.5cm
3 Button: - 9cm 2.5 Button: - 2.5cm
DB 4/6 Button: + 3cm DB 2 Btn: +6cm

JACKET | SLIM FIT | LONG LENGTH

Size Euro / Inch	A Back Length	O Front Length	B Shoulder Width	J 1/2 Chest	D 1/2 Waist	L 1/2 Seat	E Sleeve Outside*	G 1/2 Upperarm	K 1/2 Cuff	M Top Button *
82 / 34L	75.0	76.7	41.4	49.7	41.0	46.3	63.1	18.8	13.8	43.3
86 / 35L	76.0	77.7	42.4	51.7	43.0	48.3	64.0	19.2	14.0	44.0
90 / 37L	77.0	78.7	43.5	53.7	45.0	50.3	64.8	19.7	14.2	44.7
94 / 38L	78.0	79.7	44.5	55.7	47.0	52.3	65.7	20.1	14.4	45.4
98 / 40L	79.0	80.7	45.6	57.7	49.0	54.3	66.5	20.6	14.6	46.1
102 / 42L	80.0	81.7	46.7	59.7	51.0	56.3	67.4	21.0	14.8	46.8
106 / 43L	81.0	82.7	47.7	61.7	53.0	58.3	68.2	21.5	15.0	47.5
110 / 44L	82.0	83.7	48.8	63.7	55.0	60.3	69.1	21.9	15.2	48.2
114 / 46L	83.0	84.7	49.8	65.7	57.0	62.3	69.9	22.4	15.4	48.9
118 / 48L	84.0	85.7	50.9	67.7	59.0	64.3	70.8	22.8	15.6	49.6
122 / 50L	84.5	86.2	52.0	69.7	61.0	66.3	71.1	23.3	15.8	50.3
126 / 51L	85.0	86.7	53.0	71.7	63.0	68.3	71.5	23.7	16.0	51.0
130 / 52L	85.5	87.2	54.1	73.7	65.0	70.3	71.8	24.2	16.2	51.7
134 / 54L	86.0	87.7	55.1	75.7	67.0	72.3	72.1	24.6	16.4	52.4
138 / 55L	86.5	88.2	56.2	77.7	69.0	74.3	72.5	25.1	16.6	53.1



*** Sleeve Length Outside Adjustment Considerations**

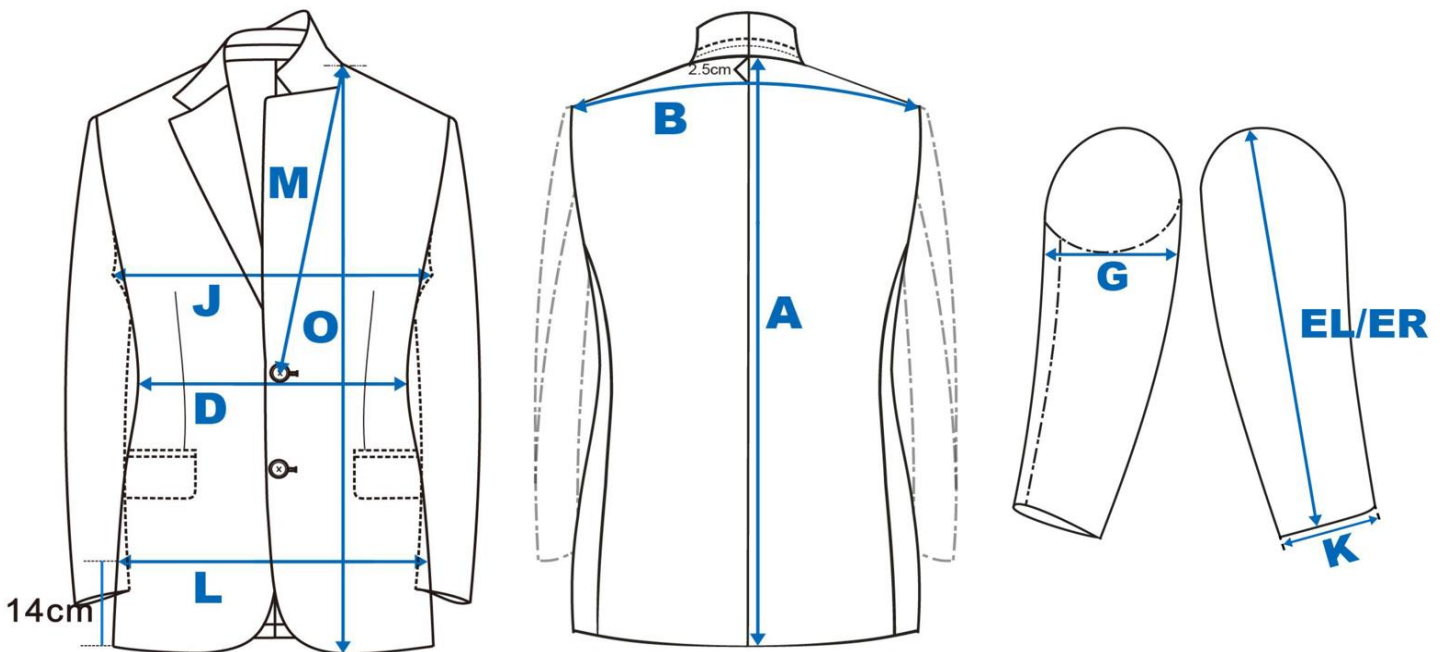
Soft shoulder -3mm (1/8")
Roped shoulder +3mm
Unconstructed shoulder -3mm
Pleated shoulder +3mm

*** Top Button Position Adjustment Considerations**

Coat Length Adj. = 50% Effect
1 Button SHAWL: + 2.5cm
3 Button: - 9cm 2.5 Button: - 2.5cm
DB 4/6 Button: + 3cm DB 2 Btn: +6cm

JACKET | SLIM FIT | SHORT LENGTH

Size Euro / Inch	A Back Length	O Front Length	B Shoulder Width	J 1/2 Chest	D 1/2 Waist	L 1/2 Seat	E Sleeve Outside*	G 1/2 Upperarm	K 1/2 Cuff	M Top Button *
20 / 32S	68.0	69.7	40.3	47.7	42.0	47.3	57.3	18.3	13.6	40.6
21 / 34S	69.0	70.7	41.4	49.7	44.0	49.3	58.1	18.8	13.8	41.3
22 / 35S	70.0	71.7	42.4	51.7	46.0	51.3	59.0	19.2	14.0	42.0
23 / 37S	71.0	72.7	43.5	53.7	48.0	53.3	59.8	19.7	14.2	42.7
24 / 38S	72.0	73.7	44.5	55.7	50.0	55.3	60.7	20.1	14.4	43.4
25 / 40S	73.0	74.7	45.6	57.7	52.0	57.3	61.5	20.6	14.6	44.1
26 / 42S	74.0	75.7	46.7	59.7	54.0	59.3	62.4	21.0	14.8	44.8
27 / 43S	75.0	76.7	47.7	61.7	56.0	61.3	63.2	21.5	15.0	45.5
28 / 44S	76.0	77.7	48.8	63.7	58.0	63.3	64.1	21.9	15.2	46.2
29 / 46S	77.0	78.7	49.8	65.7	60.0	65.3	64.9	22.4	15.4	46.9
30 / 48S	78.0	79.7	50.9	67.7	62.0	67.3	65.8	22.8	15.6	47.6
31 / 50S	78.5	80.2	52.0	69.7	64.0	69.3	66.1	23.3	15.8	48.3
32 / 51S	79.0	80.7	53.0	71.7	66.0	71.3	66.5	23.7	16.0	49.0
33 / 52S	79.5	81.2	54.1	73.7	68.0	73.3	66.8	24.2	16.2	49.7
34 / 54S	80.0	81.7	55.1	75.7	70.0	75.3	67.2	24.6	16.4	50.4
35 / 55S	80.5	82.2	56.2	77.7	72.0	77.3	67.5	25.1	16.6	51.1

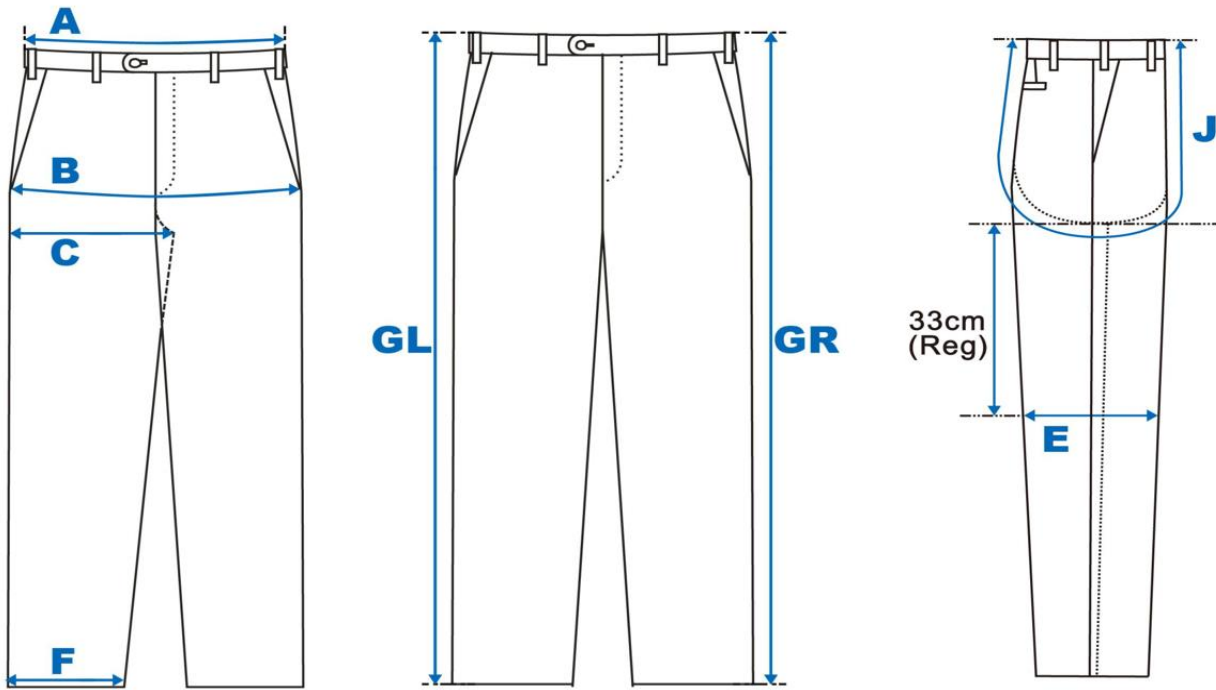


* Sleeve Length Outside Adjustment Considerations
Soft shoulder -3mm (1/8")
Roped shoulder +3mm
Unconstructed shoulder -3mm
Pleated shoulder +3mm

* Top Button Position Adjustment Considerations
Coat Length Adj. = 50% Effect
1 Button SHAWL: + 2.5cm
3 Button: - 9cm 2.5 Button: - 2.5cm
DB 4/6 Button: + 3cm DB 2 Btn: +6cm

TROUSER | SLIM FIT | REGULAR LENGTH

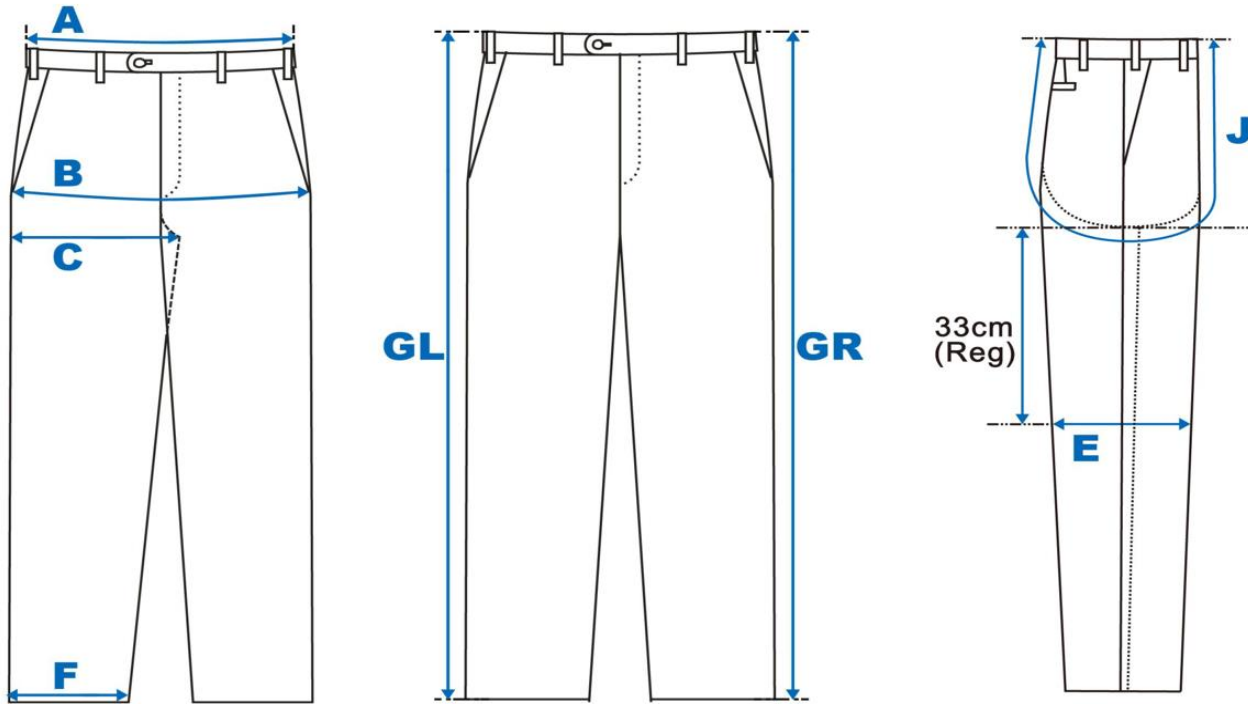
Size Euro / Inch	A 1/2 Waist	B 1/2 Seat	C 1/2 Crotch	J U-Rise	E 1/2 Knee	F 1/2 Foot	G Outseam Incl. WB	Rise (STD)
42 / 28R	37.0	46.0	31.0	61.0	21.8	18.5	98.5	20.5
44 / 30R	39.0	48.0	32.0	62.0	22.4	19.0	99.8	20.8
46 / 32R	41.0	50.0	33.0	63.0	23.0	19.5	101.1	21.1
48 / 33R	43.0	52.0	34.0	64.0	23.6	20.0	102.4	21.4
50 / 34R	45.0	54.0	35.0	65.0	24.2	20.5	103.7	21.7
52 / 36R	47.0	56.0	36.0	66.1	24.8	21.0	105.0	22.0
54 / 38R	49.0	58.0	37.0	67.1	25.4	21.5	106.3	22.3
56 / 40R	51.0	60.0	38.0	68.2	26.0	22.0	107.6	22.6
58 / 41R	53.0	62.0	39.0	69.2	26.6	22.5	108.9	22.9
60 / 42R	55.0	64.0	40.0	70.3	27.2	23.0	110.2	23.2
62 / 44R	57.0	66.0	41.0	71.3	27.8	23.5	110.5	23.5
64 / 46R	59.0	68.0	42.0	72.4	28.4	24.0	110.8	23.8
66 / 47R	61.0	70.0	43.0	73.4	29.0	24.5	111.1	24.1
68 / 48R	63.0	72.0	44.0	74.5	29.6	25.0	111.4	24.4
70 / 50R	65.0	74.0	45.0	75.5	30.2	25.5	111.7	24.7



E: Knee Measurement
Size 50/34R
S: 30cm from crotch
R: 33cm from crotch
L: 35cm from crotch

TROUSER | SLIM FIT | LONG LENGTH

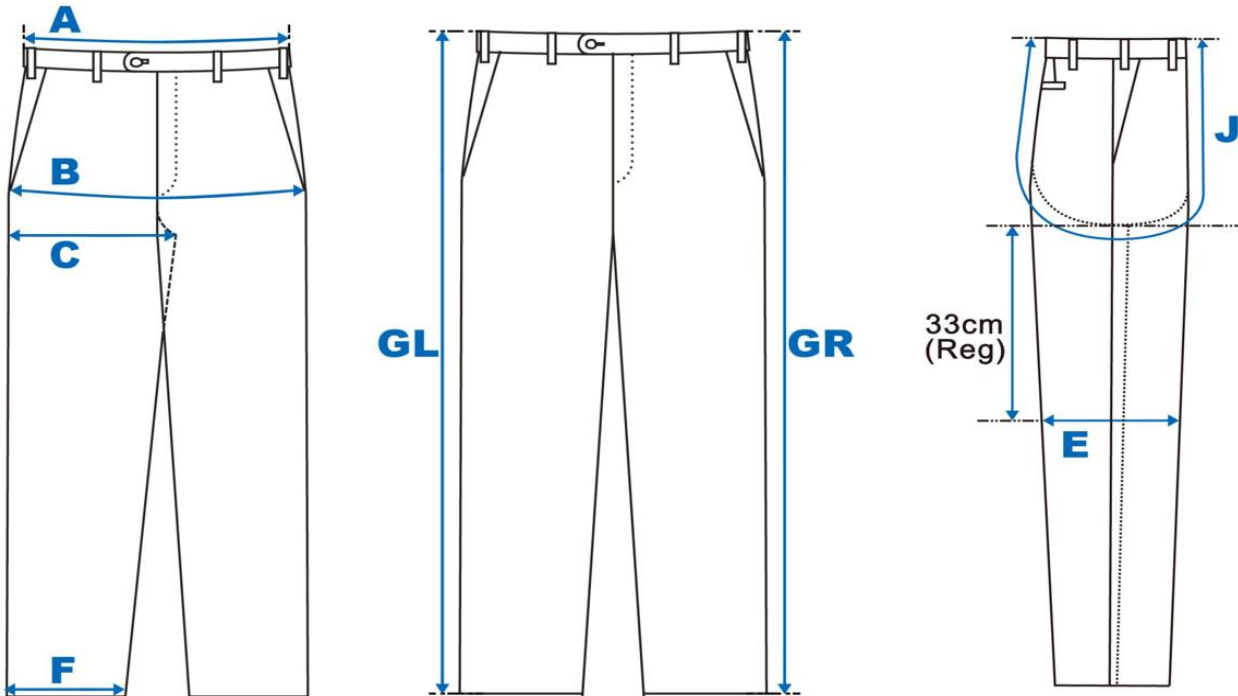
Size Euro / Inch	A 1/2 Waist	B 1/2 Seat	C 1/2 Crotch	J U-Rise	E 1/2 Knee	F 1/2 Foot	G Outseam Incl. WB	Rise (STD)
82 / 28L	36.0	45.0	30.7	61.9	21.6	18.3	103.0	21.0
86 / 29L	38.0	47.0	31.7	62.9	22.2	18.8	104.3	21.3
90 / 32L	40.0	49.0	32.7	63.8	22.8	19.3	105.6	21.6
94 / 33L	42.0	51.0	33.7	64.8	23.4	19.8	106.9	21.9
98 / 34L	44.0	53.0	34.7	65.7	24.0	20.3	108.2	22.2
102 / 36L	46.0	55.0	35.7	66.7	24.6	20.8	109.5	22.5
106 / 38L	48.0	57.0	36.7	67.7	25.2	21.3	110.8	22.8
110 / 40L	50.0	59.0	37.7	68.7	25.8	21.8	112.1	23.1
114 / 41L	52.0	61.0	38.7	69.7	26.4	22.3	113.4	23.4
118 / 42L	54.0	63.0	39.7	70.7	27.0	22.8	114.7	23.7
122 / 44L	56.0	65.0	40.7	71.7	27.6	23.3	115.0	24.0
126 / 46L	58.0	67.0	41.7	72.7	28.2	23.8	115.3	24.3
130 / 47L	60.0	69.0	42.7	73.7	28.8	24.3	115.6	24.6
134 / 48L	62.0	71.0	43.7	74.7	29.4	24.8	115.9	24.9
138 / 50L	64.0	73.0	44.7	75.7	30.0	25.3	116.2	25.2



E: Knee Measurement
Size 50/34R
S: 30cm from crotch
R: 33cm from crotch
L: 35cm from crotch

TROUSER | SLIM FIT | SHORT LENGTH

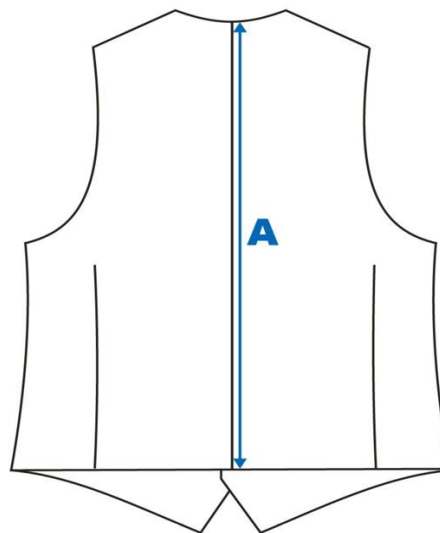
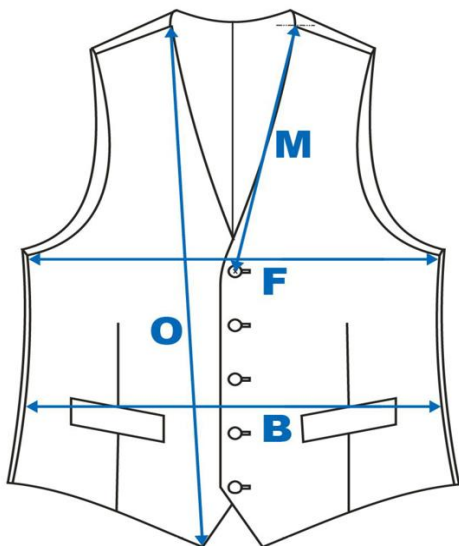
Size Euro / Inch	A 1/2 Waist	B 1/2 Seat	C 1/2 Crotch	J U-Rise	E 1/2 Knee	F 1/2 Foot	G Outseam Incl. WB	Rise (STD)
20 / 28S	37.0	45.7	30.4	54.0	21.6	18.3	92.7	19.7
21 / 30S	39.0	47.7	31.4	56.0	22.2	18.8	94.0	20.0
22 / 32S	41.0	49.7	32.4	58.0	22.8	19.3	95.3	20.3
23 / 33S	43.0	51.7	33.4	60.0	23.4	19.8	96.6	20.6
24 / 34S	45.0	53.7	34.4	62.0	24.0	20.3	97.9	20.9
25 / 36S	47.0	55.7	35.4	64.0	24.6	20.8	99.2	21.2
26 / 38S	49.0	57.7	36.4	65.1	25.2	21.3	100.5	21.5
27 / 40S	51.0	59.7	37.4	66.1	25.8	21.8	101.8	21.8
28 / 41S	53.0	61.7	38.4	67.2	26.4	22.3	103.1	22.1
29 / 42S	55.0	63.7	39.4	68.2	27.0	22.8	104.4	22.4
30 / 44S	57.0	65.7	40.4	69.3	27.6	23.3	105.7	22.7
31 / 46S	59.0	67.7	41.4	70.3	28.2	23.8	106.0	23.0
32 / 47S	61.0	69.7	42.4	71.4	28.8	24.3	106.3	23.3
33 / 48S	63.0	71.7	43.4	72.4	29.4	24.8	106.6	23.6
34 / 50S	65.0	73.7	44.4	73.5	30.0	25.3	106.9	23.9
35 / 52S	67.0	75.7	45.4	74.5	30.6	25.8	107.2	24.2



E: Knee Measurement
Size 50/34R
S: 30cm from crotch
R: 33cm from crotch
L: 35cm from crotch

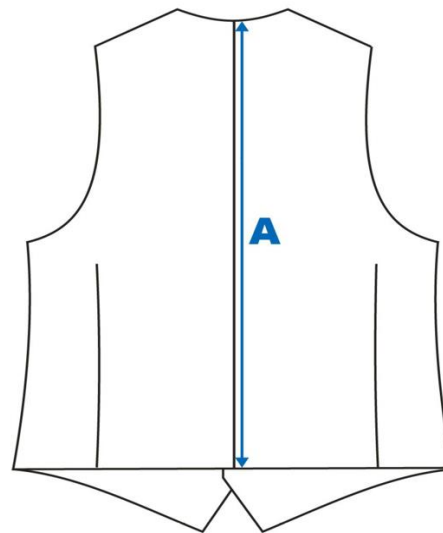
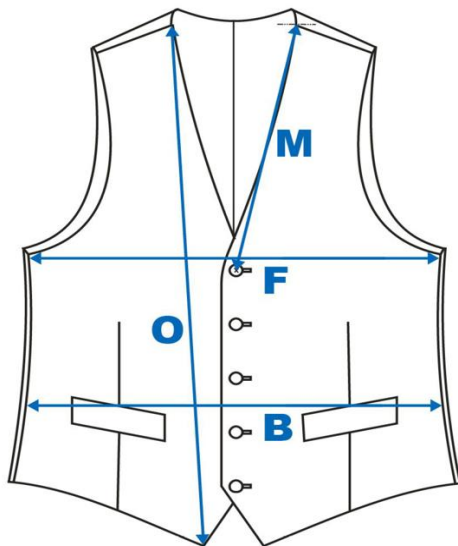
WAISTCOAT | SLIM FIT | REGULAR LENGTH

Size Euro / Inch	A Back Length	B 1/2 Waist	M Top Button	F 1/2 Chest	O Front Length
42 / 34R	51.0	41.5	30.0	43.5	56.8
44 / 35R	52.0	43.5	30.7	45.5	57.8
46 / 37R	53.0	45.5	31.4	47.5	58.8
48 / 38R	54.0	47.5	32.1	49.5	59.8
50 / 40R	55.0	49.5	32.7	51.5	60.8
52 / 42R	56.0	51.5	33.4	53.5	61.8
54 / 43R	57.0	53.5	34.1	55.5	62.8
56 / 44R	58.0	55.5	34.8	57.5	63.8
58 / 46R	59.0	57.5	35.5	59.5	64.8
60 / 48R	60.0	59.5	36.2	61.5	65.8
62 / 50R	60.5	61.5	37.0	63.5	66.8
64 / 51R	61.0	63.5	37.7	65.5	67.8
66 / 52R	61.5	65.5	38.4	67.5	68.8
68 / 54R	62.0	67.5	39.1	69.5	69.8
70 / 55R	62.5	69.5	39.9	71.5	70.8



WAISTCOAT | SLIM FIT | LONG LENGTH

Size Euro / Inch	A Back Length	B 1/2 Waist	M 5B Top Button	F 1/2 Chest	O Front Length
82 / 34L	54.0	40.5	30.0	42.5	59.8
86 / 35L	55.0	42.5	30.7	44.5	60.8
90 / 37L	56.0	44.5	31.4	46.5	61.8
94 / 38L	57.0	46.5	32.1	48.5	62.8
98 / 40L	58.0	48.5	32.7	50.5	63.8
102 / 42L	59.0	50.5	33.4	52.5	64.8
106 / 43L	60.0	52.5	34.1	54.5	65.8
110 / 44L	61.0	54.5	34.8	56.5	66.8
114 / 46L	62.0	56.5	35.5	58.5	67.8
118 / 48L	63.0	58.5	36.2	60.5	68.8
122 / 50L	63.5	60.5	37.0	62.5	69.8
126 / 51L	64.0	62.5	37.7	64.5	70.8
130 / 52L	64.5	64.5	38.4	66.5	71.8
134 / 54L	65.0	66.5	39.1	68.5	72.8
138 / 55L	65.5	68.5	39.9	70.5	73.8



WAISTCOAT | SLIM FIT | SHORT LENGTH

	A	B	M	F	O
Size Euro / Inch	Back Length	1/2 Waist	Top Button	1/2 Chest	Front Length
20 / 32S	47.0	41.5	29.3	43.5	52.8
21 / 34S	48.0	43.5	30.0	45.5	53.8
22 / 35S	49.0	45.5	30.7	47.5	54.8
23 / 37S	50.0	47.5	31.4	49.5	55.8
24 / 38S	51.0	49.5	32.1	51.5	56.8
25 / 40S	52.0	51.5	32.7	53.5	57.8
26 / 42S	53.0	53.5	33.4	55.5	58.8
27 / 43S	54.0	55.5	34.1	57.5	59.8
28 / 44S	55.0	57.5	34.8	59.5	60.8
29 / 46S	56.0	59.5	35.5	61.5	61.8
30 / 48S	57.0	61.5	36.2	63.5	62.8
31 / 50S	57.5	63.5	37.0	65.5	63.8
32 / 51S	58.0	65.5	37.7	67.5	64.8
33 / 52S	58.5	67.5	38.4	69.5	65.8
34 / 54S	59.0	69.5	39.1	71.5	66.8
35 / 55S	59.5	71.5	39.9	73.5	67.8

